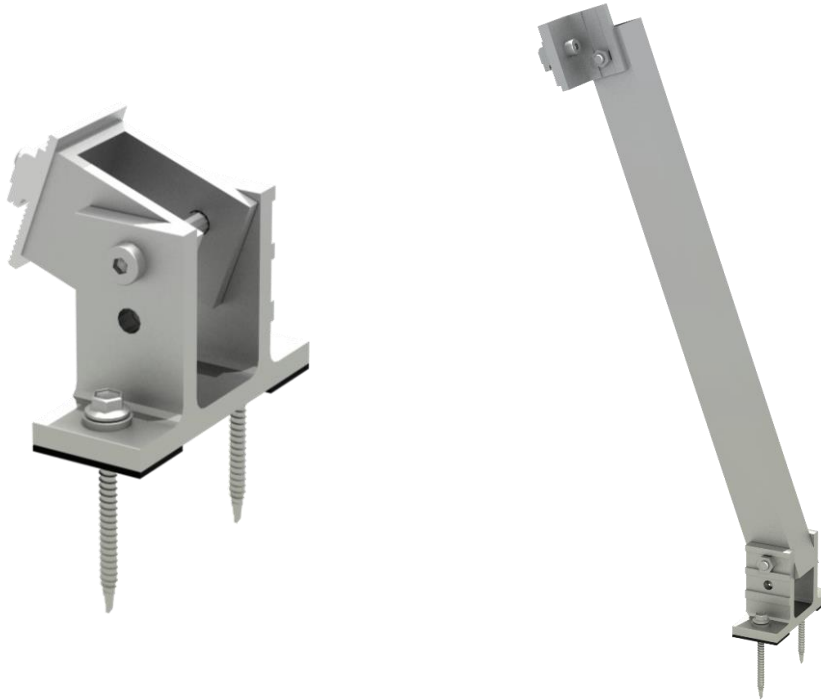


PV-ezRack® SolarRoof™ Fixed 5° Tilt Leg Pre-assembled

Complying with AS/NZS1170.2:2011 ADMT 2-2012



Quick & Easy Tilt Installation

The Clenergy PV-ezRack® SolarRoof™ Fixed Tilt legs have been developed as a tilt PV mounting system for roof-mounting on pitched and flat roofs. The use of patented aluminium rails, the Z-Module technology and the pre-assembled parts eliminates custom cutting and enables particularly fast installation.

Fixed tilt legs are also available in 10°

Materials

AL6005-T5 | SUS304

Contact us or one of our qualified resellers for a personalised quotation today.

Available accessories

Grounding/earthing



Cable clips



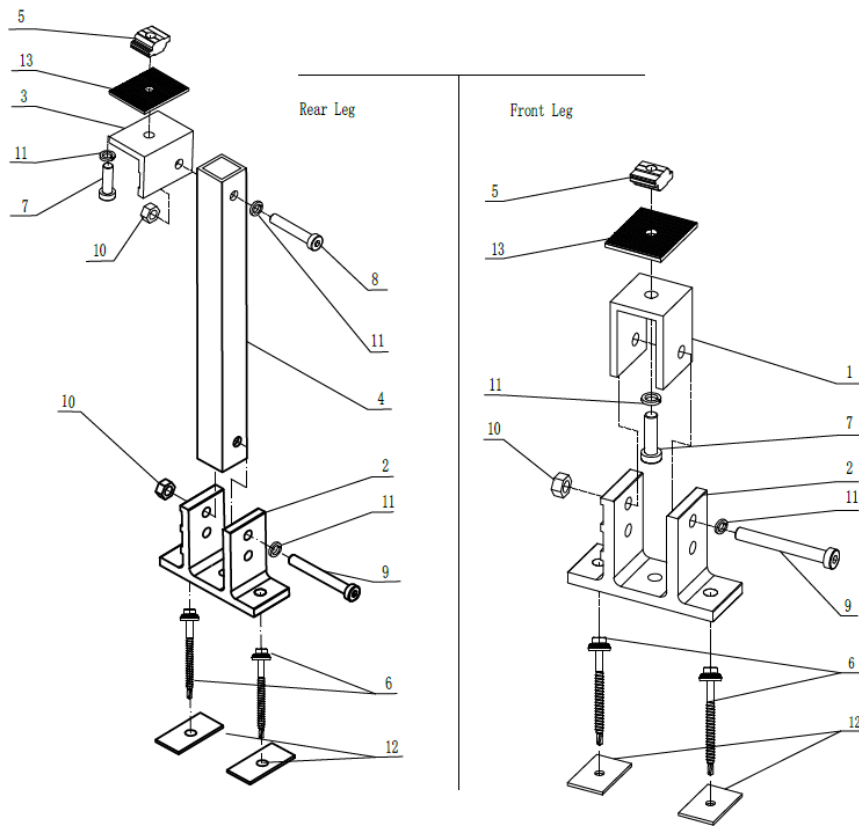
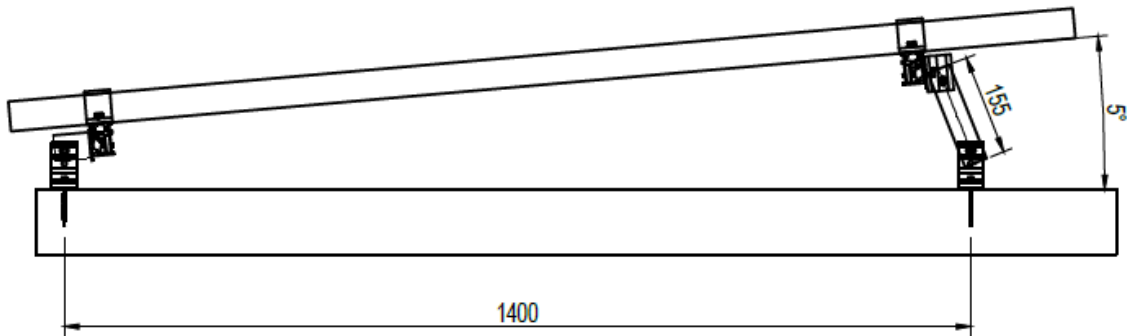
Isolator bracket



Rail caps



Drawing and Specifications



13	12-16026-040	PZ01-1-100A-xx	corrugated shim (t3.5)	L50*40*3.5	AL6005-T5	2	0.017	
12	11-14022-083	PZ01-4-009-xx	Rubber Pad40*25*2	40*25*2	EPDM	4	0.002	
11	11-14016-001		Washer 8	8	SUS304	5	0.001	
10	11-14014-001		Hexagon nut. M8	M8	SUS304	3	0.005	
9	11-14012-024		Hexagon socket head cap screw M8*65	M8*65	SUS304	2	0.031	
8	11-14012-010		Hexagon socket head cap screw M8*55	M8*55	SUS304	1	0.027	
7	11-14012-005		Hexagon socket head cap screw M8*28	M8*28	SUS304	2	0.016	
6	11-14011-042	PZ01-6-015-XX	Self-Tapping Universal Screw, Bulldex Cyclonic RoofZip M6.5x70 with 16mm Aluminium Insert	6.5*70	1022 (AS 3598.2 Class 3)	4	0.015	
5	12-14021-001		Z Module	L20	AL6005-T5	2	0.012	
4	12-20043-016	PZ01-1-064A-xx	Al-Tube 38*38*155(e9.5)	L155	AL6005-T5	1	0.109	
3	12-12017-025	PZ01-1-004A-xx	L-foot	40*40*55	AL6005-T5	1	0.061	
2	12-12017-024	PZ01-1-003A-xx	Fix foot	105*70*40	AL6005-T5	2	0.188	
1	12-12017-021	PZ01-1-002A-xx	U Bracket	38.1*55*40	AL6005-T5	1	0.073	
Item	BarCode/Part No.	Dwg No.	Part Name	Spec.	Material	Qty	Weight/kg	Remark