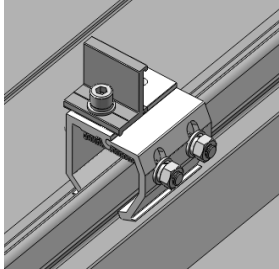
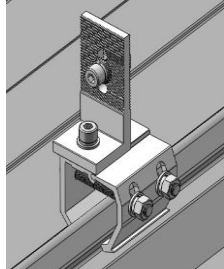


SolarRoof, Universal Klip-lok Interface

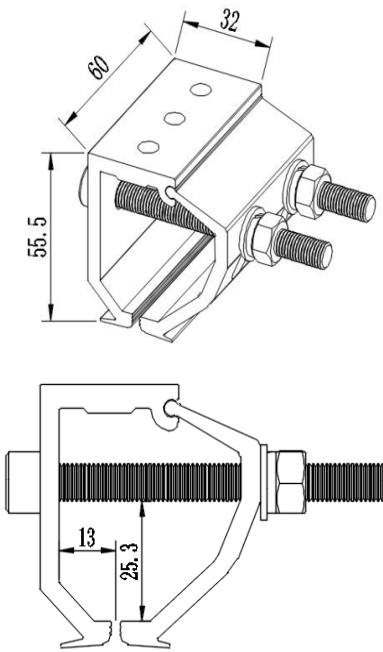
Assembly

	
Install with Cross Connector Clamp of ECO-Rail	Install with Tin Interface

Component


Universal Klip-lok Interface Part No.: ER-I-34

Technical Specification

Roof type	Klip-Lok 406, Klip-Lok 700 Classic, Klip-Lok 700 High Strength, Speed Deck Ultra, Kingklip 700, Topdek 700, Metroll Metlok 700, Metroll Metlok 500, Speed Deck 500, Revolution Maxline 340, Steeline Lokdek 680, Steeline Steel-Rib 500 (ST28), Lysaght Longline 305, BlueScope Rev-Klip 700	
Interfaces	Tin feet, Cross connector clamp, Tilt legs, Tripod	
Dimensions	L60mm*W88mm*H55.5mm	
Weight	203 g	
Packaging	20 units per pack, 4 packs (80 units) per carton	
Material	Main parts: AL6005-T5 Bolts/Washers: SUS 304; Nuts: Carbon steel with Zinc-nickel alloy coating	
Color	Silver (anodized, no less than 10 µm)	
Standard	AS NZS1170.2-2011	