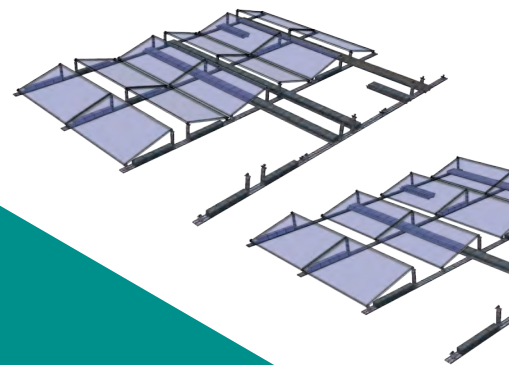


Schletter Australia ProLine

Mounting is now
even faster
and easier

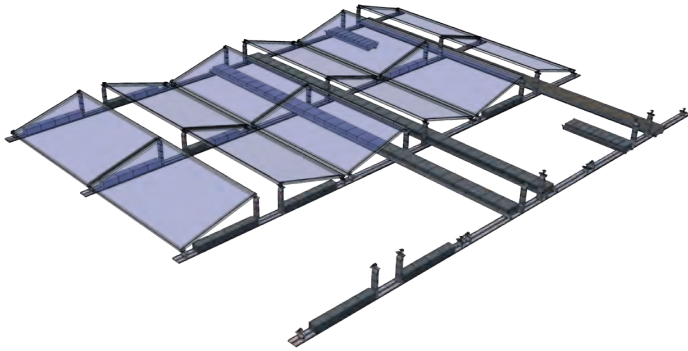


- ▶ Roof hooks
- ▶ Seam clamps
- ▶ FixW
- ▶ FixGrid Pro
- ▶ SingleFix
- ▶ KingFix
- ▶ TrimFix
- ▶ Module clamps
- ▶ Module bearing rails
- ▶ Accessories

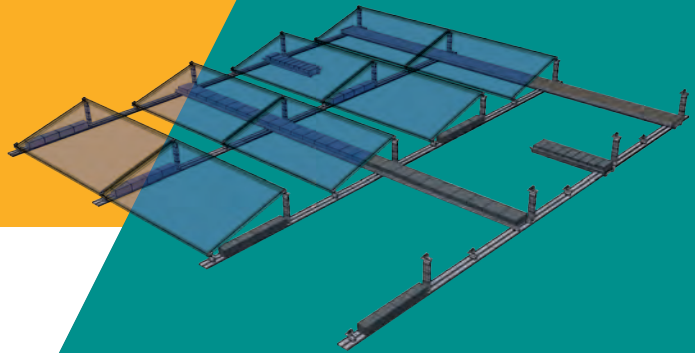
SCHLETTER
The Solar Mounting Group

NEW

FixGrid Pro East-West



FixGrid Pro North



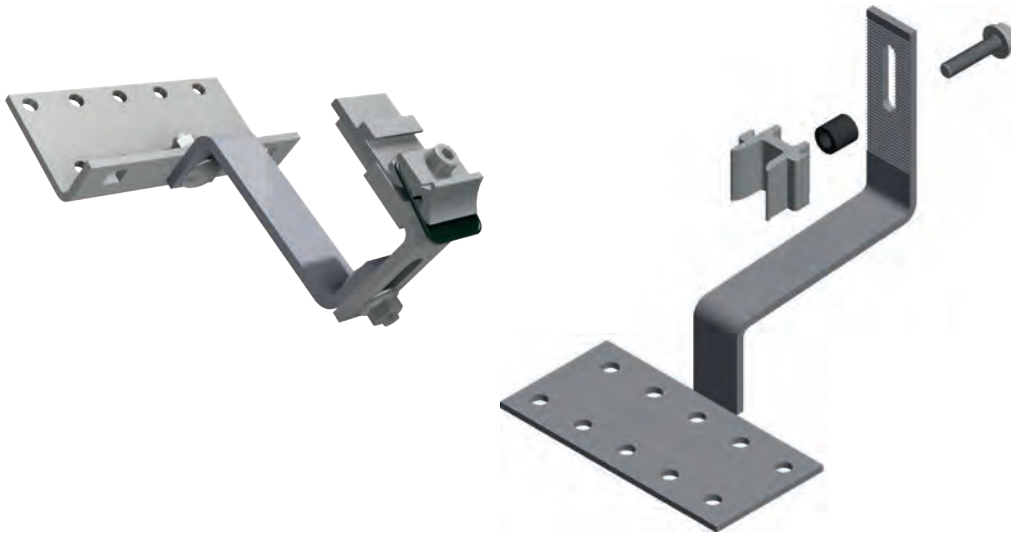
FixGrid Pro

- ▶ Ballast optimization and reduction through improved aerodynamics
- ▶ Planning and assembly flexible and time-saving
- ▶ Facilitated assembly and wiring of the modules
- ▶ Compatible with ProLine series module clamps
- ▶ Extensive assembly variants can be realized with just a few components
- ▶ Module support Pro allows flexible adjustment to the desired angle of inclination
- ▶ Toolless mounting of the Pro elevation profiles
- ▶ Modules can be mounted crosswise and upright
- ▶ Module clamping can be done on the short or long module frame side



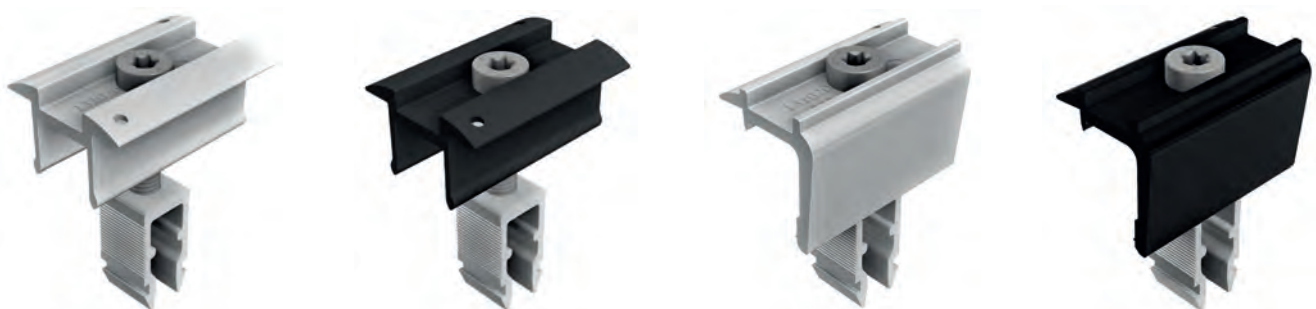
Roof hooks

- ▶ Higher load capacity due to new profile geometries
- ▶ Fastening with the Torx T40
- ▶ Fast and flexible mounting by click-in
- ▶ No pressure on the roof tile
- ▶ Due to the new multi-adapter with Torx T40, all Schletter roof hooks can be installed with the classic Schletter profiles as well as the new ProLine profiles



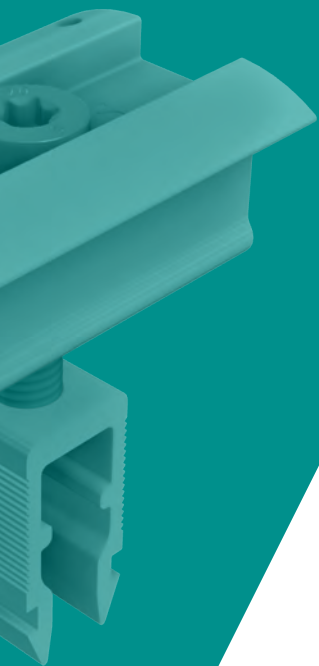
ProLine - Module clamps

- ▶ Middle and end clamps for mounting module frames between 30 - 47 mm
- ▶ Mounting with Torx T40
- ▶ Completely pre-assembled for quick installation
- ▶ Built-in grounding function
- ▶ Available in mill and black anodized aluminum
- ▶ Optimized packaging units
- ▶ Compatible with all ProLine series profiles



Line

Pro

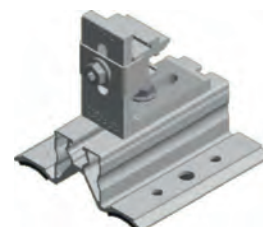
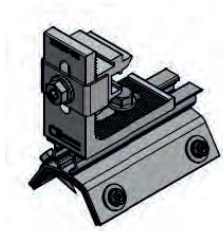


ProLine - Module bearing rails

- ▶ Aluminum EN AW-6063 T66
- ▶ Reduced material with improved stability
- ▶ Standard profile lengths: 3300 mm, 4400 mm, 5500 mm, 6000 mm (4400mm Standard)
- ▶ Compatible with modular clamps and crossbar connectors of the ProLine series

ProLine - SingleFix / KingFix / TrimFix / FixW

- ▶ For mounting on trapezoidal & corrugated sheet metal roofs
- ▶ All compatible with the ProLine series and classic Schletter solar mounting system



Line



ProLine - Seam clamps

- ▶ For mounting on standing seam roofs
- ▶ Fast and direct fastening
- ▶ For a wide range of sheet metal seam roofs
- ▶ Compatible with modular clamps and crossbar connectors of the ProLine series

ProLine - Accessories

- ▶ ProConnector - tool-free, self-locking slide-in connector
- ▶ RapidPro L Adapter with Torx T40 can be installed with either ProLine rails or classic Schletter rails
- ▶ RapidCon90 cross-connector can be installed on top with either ProLine rails or classic Schletter rails to all rails of the ProLine series
- ▶ RapidPro cross-connector with Torx T40 can be installed with ProLine rails to all classic Schletter rails
- ▶ Pro plastic end cap - Plastic end cap for ProLine module support profiles
- ▶ KlickTop Pro Hanger Bolt Adapter - Hanger bolt mounting adapter for Standard and ProLine module support profiles



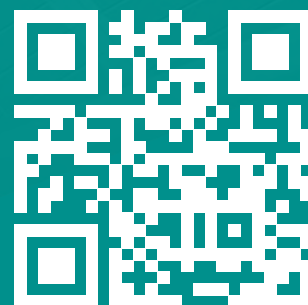
Schletter employees will gladly assist you with comprehensive and expert advice on planning your system, as well as guide you through any logistical or order processing queries you might have.



SCHLETTER
The Solar Mounting Group

SCHLETTER AUSTRALIA PTY LTD
Unit 4, 27 Williamson Road
2565 Ingleburn
AUSTRALIA

www.schletter-group.com



We reserve the right to changes, including technical modification.