

# THE NEW RAPID SML

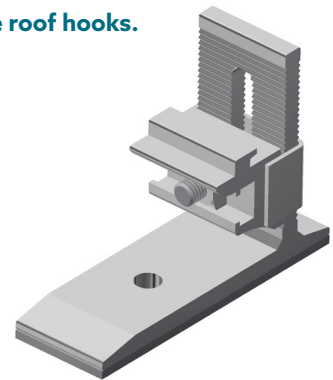
## INFORMATION SHEET

The new fastening element Rapid SML was developed for roofs with metal shingles.

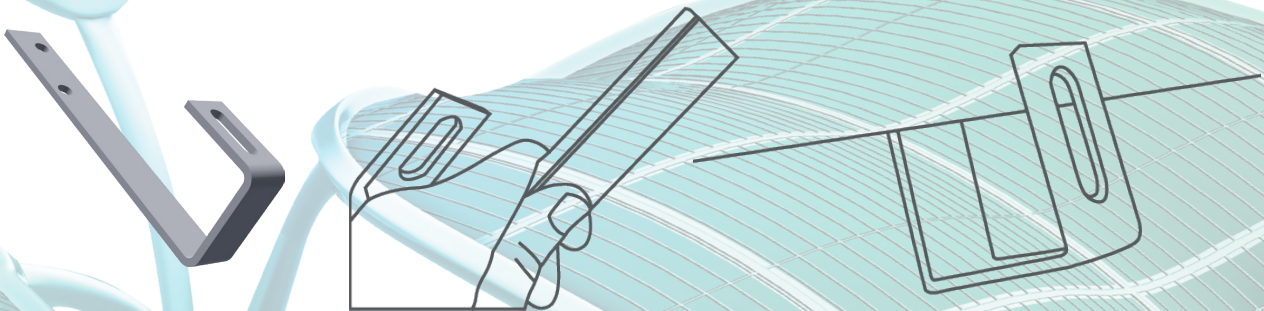
**Using this solution, the roof does not have to be covered to be able to fasten the roof hooks.**

**The Rapid SML is screwed directly onto the roof covering.**

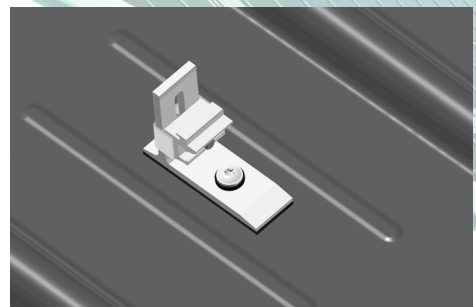
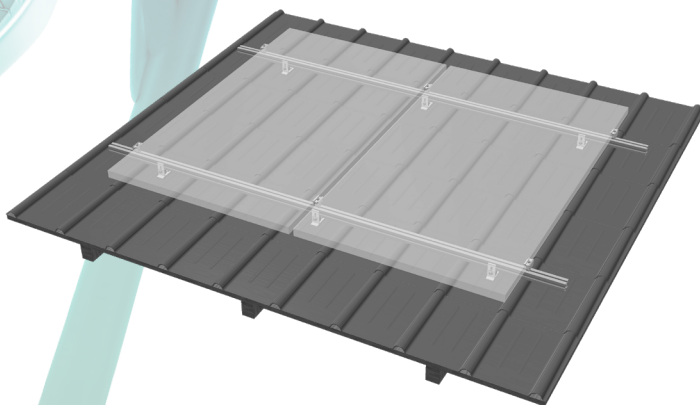
As well as a faster and less complicated assembly, a further advantage is a good introduction of load into the roof substructure.



**Previous system with the roof hook 102001-000:**



**New system with Rapid SML:**



## NOTE

The Rapid SML cannot be used in combination with slate roofs; rather, it serves purely for fastening onto metal shingles.

### General mounting information:

- The sealing must be inspected by a professional
- Central screw fitting in the beams is recommended
- The timber building standard must be observed when selecting the fastening screws
- We recommend not installing on sheet joints
- An even sheet tile surface is required

## TECHNICAL DATA

<b>Material</b>	Fastening elements: Aluminium, stainless steel 1.4301, Screws: Stainless steel
<b>Planning aid</b>	Configuration and structural analysis via Schletter Configurator.
<b>Structural analysis</b>	Structural analysis based on recognized engineering standards. Verification of structural safety of the mounting system is based on Eurocodes and general construction approvals. The load assumptions comply with DIN EN 1991-1 and the regulations of the national annex. Roofing and building certificates are not included. Any instructions on required certification and approval must be observed!

Further information is available at: [www.schletter-group.com](http://www.schletter-group.com)