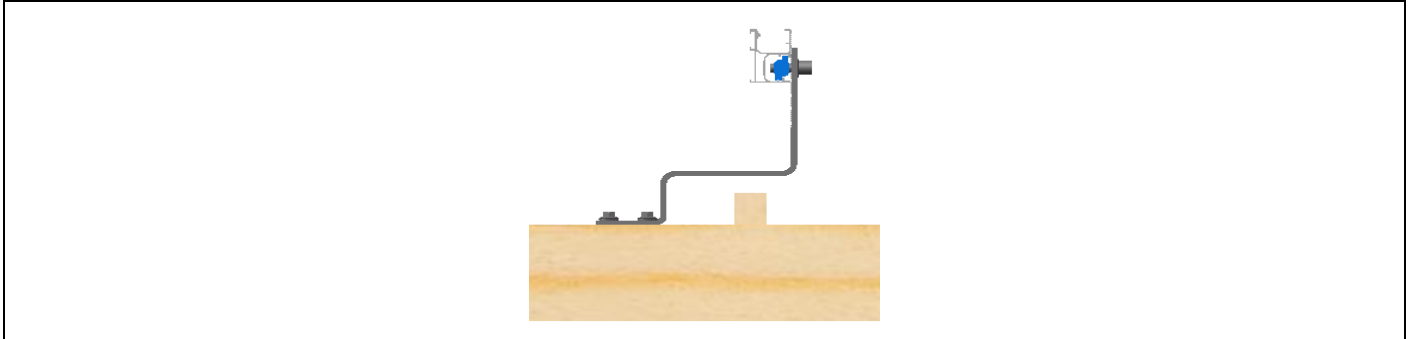


## SolarRoof, Tile Interface, Carbon Steel

### Assembly

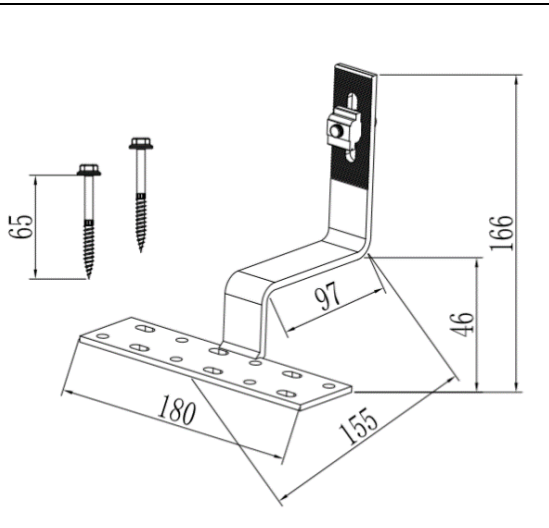


### Component



PV-ezRack SolarRoof, Tile Interface, Carbon Steel  
Part No.: ER-I-01/CS

### Technical Specification

Application	Tile Roof with Timber Rafter	
Screw Specification	Buildex 14-10 x 65 (14 gauge, 6.3 mm, 10 TPI, 65 mm long) Hex Head Zips screw	
Dimensions	L180mm*W155mm*H166mm	
Weight	0.594Kg	
Packaging	12 units per pack; 4 packs (48 units) per carton	
Material	Roof Hook: Q355B with average galvanizing coating 85 microns Bolts/Washer/Nuts: SUS304 Z-Module: AL6005-T5	
Color	Silver	
Standard	AS NZS1170.2-2011 National Building Code of Canada (NBC) 2020	